

**Worktop induction hob - Novy Easy duct-out**  
**4-zones 80 cm**  
**Black**



EAN 5414425220755

**Dimensions (mm)**

Dimensions (WxDxH) (mm)	800 x 520 x 225
Cut-out worktop (WxD)(mm)	750 x 490
Dimensions cut-out with inset (WxDxH) (mm)	804 x 524 x 7

**Cooker hood**

**Energy label**

Energy efficiency class (EElhood)	A+++
Annual energy consumption (kWh/y) (AEChood)	17,9
Fluid Dynamic Efficiency class (FDEhood)	A
Lighting Efficiency class (LEhood)	-
Grease Filtering Efficiency class (GFEhood)	B

**General information**

Integrated motor	•
Number of metal grease filters	1
Duct out	•
Dimensions exhaust (mm)	89 x 222
Position exhaust	Back left / Under left

**Functions**

Control	Red slider touch control
Number of speeds	9 + P
Delayed switch off (minutes)	10
Grease filter cleaning indication	•
Watertank(s) for cleaning	•

**Air flow & noise level**

Air flow duct out (m3/u) (EN 61591):	
- Minimum	186
- Maximum continues	520
- Maximum	610
Luchtdruk (Pa):	
- Maximum	452
Sound pressure/power duct out setting (dB(A) re 1 pW)(EN 60704-2-13):	
- Minimum	30/42
- Maximum continues	54/66
- Maximum	58/70

## Induction hob

### General characteristics

---

Black opaque glass	•
Bevelled glass edge	•
Surface and flushline mounting	• / •

### Cooking zones

---

Number of octagonal zones	4
Cooking zones (mm)	240 x 210
Power per zone (max. / power) (W)	2100/3000

### Cooking functions

---

Control	Red slider touch control
Power levels	9 + Power
Timer per zone	•
Minute minder	•
Stop&Go	•
Keep warm function	70°
Bridge function flexzones	• (2x)
Residual heat indication	•
Automatic cooking	•
Child lock function	•
Automatic pan recognition	•
Grill function	•

### Technical specifications

---

Maximum power	7568 W
Tension	230 V / 400 V - 1N / 2N
Power cable (included)	1,5 m
Power consumption in stand-by Ps (W)	<0,5 W
Weight (kg)	18,3

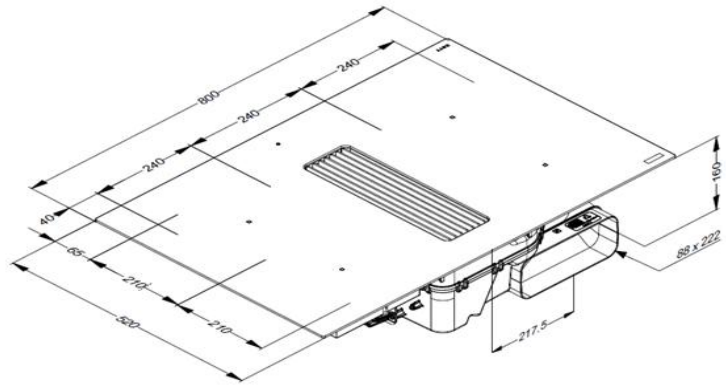
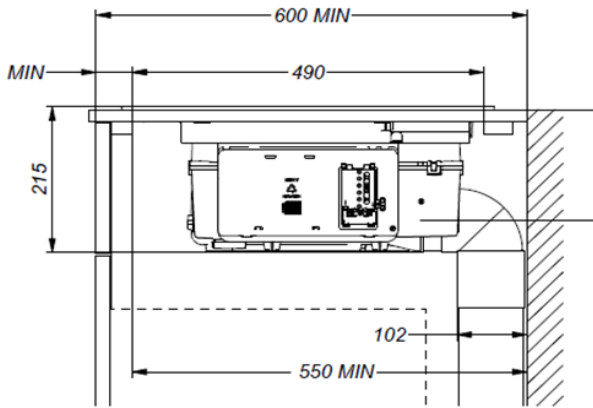
### Accessories

#### Accessories

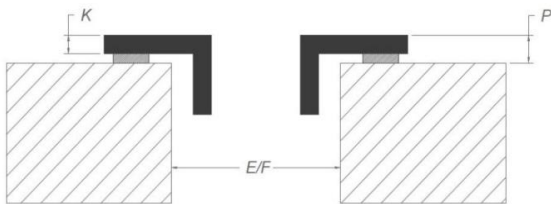
---

Vertical bend 90°	Supplied with the appliance
-------------------	-----------------------------

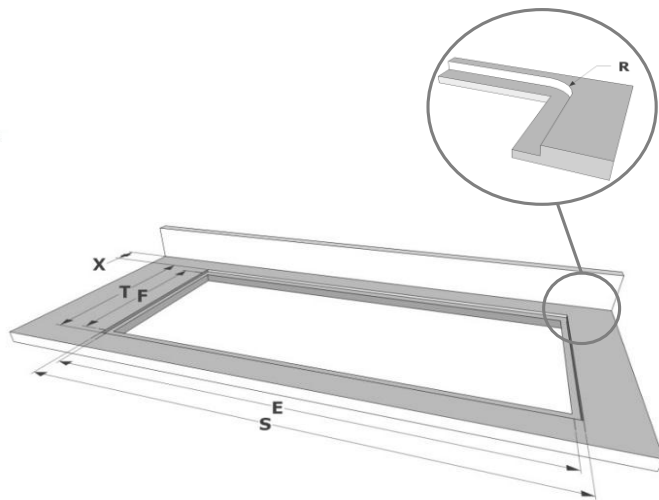
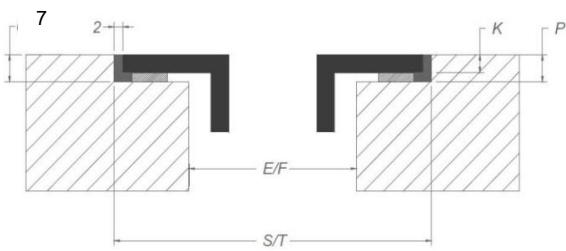
## Dimensions



## Surface mounting



## Flushline mounting



## Dimensions

	mm							
	E	F	K	P	R	S	T	X
Surface	750	490	4	6				55 min
Flushmount	750	490	4	6	7	804	524	55 min

